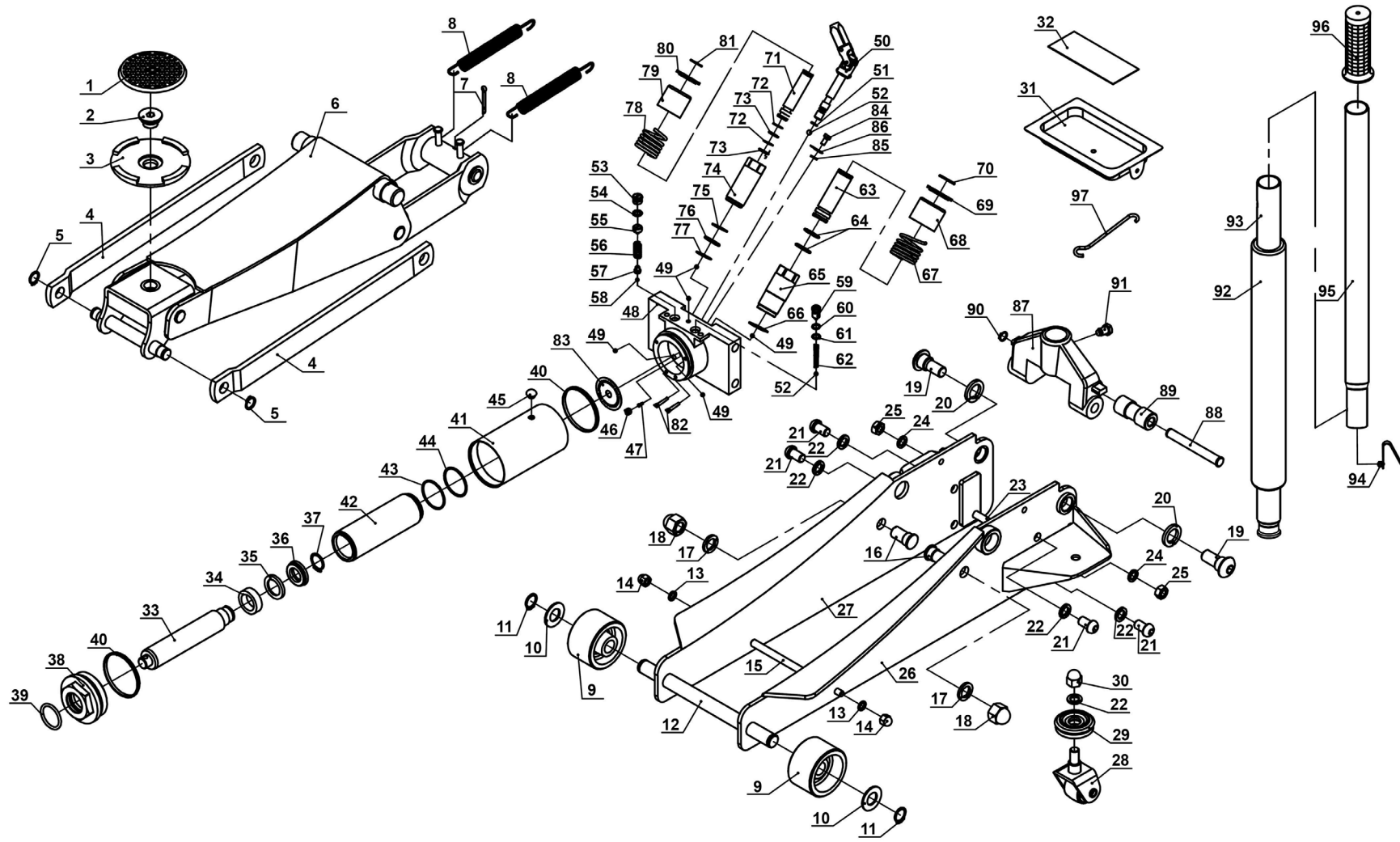




Parts Information: Trolley Jack 3tonne Rocket Lift Model No: 3040.V2 SERIES



NOTE: It is our policy to continually improve products and as such we reserve the right to alter data, specifications and component parts without prior notice.

There may be alternative versions of this product, please contact us should you require this information.

IMPORTANT: No liability is accepted for incorrect use of product. Spare parts must be fitted by a competent person

WARRANTY: Guarantee is 12 months from purchase date, proof of which will be required for any claim.

Sealey Group, Kempson Way, Suffolk Business Park, Bury St Edmunds, Suffolk. IP32 7AR



01284 757500



01284 703534



sales@sealey.co.uk



www.sealey.co.uk



Parts Information:
Trolley Jack 3tonne Rocket Lift
Model No: 3040.V2 SERIES

Item	Part No.	Description
1	JP17	Safety Rubber Jack Pad - Type B
2	4040A.02	Saddle Pin
3	4040A.03	Saddle
4	4040A.04	Radius Link
5	4040A.05	Snap Ring
6	3040AB.36	Lifting Arm Assembly 'Black' (3040AB only)
6	3040AG.06	Lifting Arm Assembly 'Green' (3040AG only)
6	3040AO.06	Lifting Arm Assembly 'Orange' (3040AO only)
6	3040AR.06	Lifting Arm Assembly 'Red' (3040AR only)
6	3040AY.06	Lifting Arm Assembly 'Yellow' (3040AY only)
7	4040A.07	Split Pin
8	4040A.08	Return Spring Dia 17mm
9	3040AB.09	Wheel, Front, Fixed W/Fixings (D:72 W:43 B:18) (3040AB only)
9	3040AG.09	Wheel, Front, Fixed W/Fixings (D:72 W:43 B:18) (3040AG only)
9	3040AO.09	Wheel, Front, Fixed W/Fixings (D:72 W:43 B:18) (3040AO only)
9	3040AR.09	Wheel, Front, Fixed W/Fixings (D:72 W:43 B:18) (3040AR only)
9	3040AY.09	Wheel, Front, Fixed W/Fixings (D:72 W:43 B:18) (3040AY only)
10	FWM18.S	Flat Washer M18 Zinc
11	3015CXD.01	External Circlip 16.3mm Id.
12	3040A.12	Front Axle
13	3040A.13	Lock Washer
14	3040A.14	Domed Nut
15	3040A.15	Frame Rod
16	4040A.15	Radius Link Stud
17	4040A.16	Lock Washer
18	SN16.SD	Steel Nut M16 Domed Zinc
19	3040A.29	Button Head Socket Screw
20	SWM20.S	Spring Washer M20 Zinc
21	4040A.20	Button Head Socket Screw
22	SWM12.S	Spring Washer M12 Zinc
23	3040A.30	Frame Rod
24	4040A.88	Lock Washer
25	3040A.27	Nut
26	3040A.21	Side Frame, Left
27	3040A.22	Side Frame, Right
28	4040AB.26	Wheel, Swivel Castor, W/Fixings (D:43 W:28 H:90) (3040AB only)
28	4040AG.26	Wheel, Swivel Castor, W/Fixings (D:43 W:28 H:90) (3040AG only)

Item	Part No.	Description
28	4040AO.26	Wheel, Swivel Castor, W/Fixings (D:43 W:28 H:90) (3040AO only)
28	4040AR.26	Wheel, Swivel Castor, W/Fixings (D:43 W:28 H:90) (3040AR only)
28	4040AY.26	Wheel, Swivel Castor, W/Fixings (D:43 W:28 H:90) (3040AY only)
29	4040A.27	Bearing Race Assembly
30	SN12.SD	Steel Nut M12 Domed Zinc
31	3040A.31	Tool Tray c/w Part 32
32	4040A.30	Magnetic Rubber Pad
33	3040A.33	Ram Plunger Assembly
34	3040A.34	Bushing Cover
35	3040A.35	Back-Up Washer
36	3040A.36	U-Cup Seal
37	3040A.37	Retaining Ring
38	3040A.38	Top Nut
39	AK451DX.06	O-Ring, (Ex: 38.41 In: 31.35 Cs: 3.53)
40	3040A.40	Sealing Ring
41	3040A.41	Reservoir
42	3040A.42	Cylinder
43	3040A.43	Back-Up Washer
44	SA792V3-22	O-Ring, (Ex: 47.76 In: 42.52 Cs: 2.62)
45	4040A.43	Oil Filler Plug
46	3000CXD.V6-48	Throttle Valve
47	3000CXD.V6-49	Spring
48	3040A.46	Base Plate
49	4040A.45	Steel Ball
50	3040A.48N	Release Valve Assembly (12mm)
51	GSA08.09-4	O-Ring, (Ex: 11.21 In: 7.65 Cs: 1.78)
52	SB-6.1	Steel Ball 6.1mm
53	4040A.50	Guide Screw
54	4040A.51	O-Ring, (Ex: 12.94 In: 8.63 Cs: 2.16)
55	4040A.52	Safety Valve Screw
56	4040A.53	Valve Spring Dia 10.3mm
57	4040A.54	Valve
58	4040A.55	Steel Ball
59	4040A.56	Bolt
60	4040A.57	Back-Up Washer
61	GSA08.09-4	O-Ring, (Ex: 11.21 In: 7.65 Cs: 1.78)
62	4040A.59	Spring Dia 8mm
63	4040A.60	Pump Piston (Large)
64	SA29.V3-41	O-Ring, (Ex: 22.36 In: 17.12 Cs: 2.62)
65	4040A.62	Pump Cylinder (Large)

NOTE: It is our policy to continually improve products and as such we reserve the right to alter data, specifications and component parts without prior notice. There may be alternative versions of this product, please contact us should you require this information.

IMPORTANT: No liability is accepted for incorrect use of product. Spare parts must be fitted by a competent person

WARRANTY: Guarantee is 12 months from purchase date, proof of which will be required for any claim.

Sealey Group, Kempson Way, Suffolk Business Park, Bury St Edmunds, Suffolk. IP32 7AR



01284 757500



01284 703534



sales@sealey.co.uk



www.sealey.co.uk



Parts Information:
Trolley Jack 3tonne Rocket Lift
Model No: 3040.V2 SERIES

Item	Part No.	Description
66	4040A.63	Washer (Pump Cylinder 'Large')
67	3040A.65	Spring Dia 37.3mm
68	4040A.65	Pump Core (Large)
69	3040A.67	Spring Cover Plate
70	4040A.67	Snap Ring
71	4040A.68	Pump Piston (Small)
72	4040A.69	Back-Up Washer
73	SA695.13	O-Ring, (Ex: 16.01 In: 10.77 Cs: 2.62)
74	4040A.71	Pump Cylinder (Small)
75	4040A.72	Back-Up Washer
76	4040A.73	O-Ring, (Ex: 25.62 In: 21.43 Cs: 2.55)
77	4040A.74	Washer (Pump Cylinder 'Small')
78	4040A.75	Spring (Pump Core Small) Dia 28.6mm
79	4040A.76	Pump Core (Small)
80	4040A.77	Spring Cover Plate (Small)
81	4040A.78	Snap Ring
82	4040A.79	Strainer
83	3040A.81	Washer

Item	Part No.	Description
84	4040A.80	Bolt
85	4040A.81	Lock Washer
86	3040A.84	Washer
87	4040A.83N	Handle Socket
88	4040A.84	Handle Socket Pin
89	4040A.85	Handle Socket Roller
90	4040A.86	Snap Ring
91	4040A.87N	Handle Socket Bolt
92	4040A.92	Handle Sleeve
93	4040A.89N	Lower Handle (c/w Part 92)
94	2001LERE.V2-92	Handle Lock Button
95	4040A.91N	Upper Handle (c/w Part 93)
96	4040A.93	Handle Grip
97	4040A.94N	Hook
--	3040A.HU	Hydraulic Unit Assembly
--	3040A.RK	Repair Kit

NOTE: It is our policy to continually improve products and as such we reserve the right to alter data, specifications and component parts without prior notice. There may be alternative versions of this product, please contact us should you require this information.

IMPORTANT: No liability is accepted for incorrect use of product. Spare parts must be fitted by a competent person

WARRANTY: Guarantee is 12 months from purchase date, proof of which will be required for any claim.

Sealey Group, Kempson Way, Suffolk Business Park, Bury St Edmunds, Suffolk. IP32 7AR



01284 757500



01284 703534



sales@sealey.co.uk



www.sealey.co.uk